



Model: See Affected Units

Nov. 7, 2022

Serial #: N/A

Product Bulletin # TDS-238 Rev 1

Polymer Stabbing Bell Safety Securement

Canrig has improved the safety securement on the polymer version stabbing bell to better secure the stabbing bell in the event the stabbing bell becomes detached from the back-up wrench (BUW) gripper assembly.

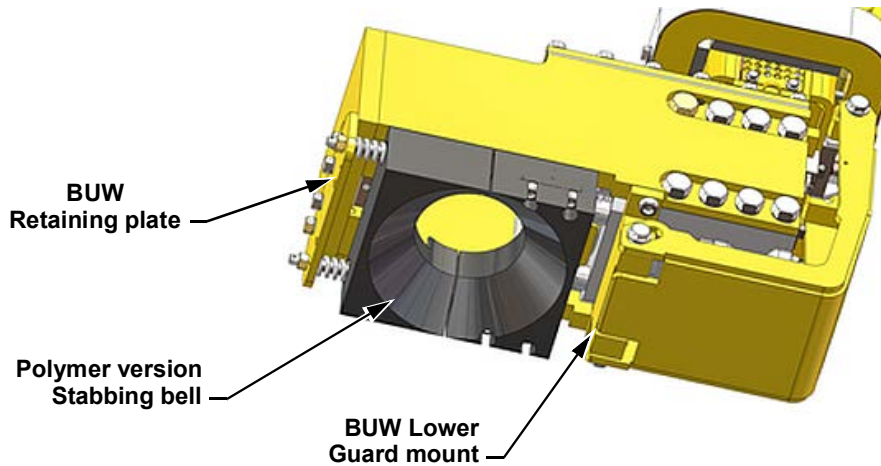


Figure 1: Top drive back-up wrench gripper with polymer version stabbing bell

Affected Top Drives

All top drives that utilize the polymer version stabbing bells on the back-up wrench gripper assembly.

Parts Required

The following back-up wrench gripper components (Item 1, 3, and 4) will require modification prior to adding safety securement to the stabbing bells.

Table 1: Parts Required

Item	Canrig Part No.	Description
1	Customer specific	POLYMER STABBING BELL
2	H16-2025-035	TUBING, 1/4 x 0.035 WALL, T-316
3	829-18-0	PLATE, RETAINING, BUW
4	DT11478	MOUNT, GUARD, LOWER, BUW
5	M10022	WIRE ROPE, 1/8, 7 x 19, STAINLESS
6	M19-3009-010	FERRULE, 1/8, OVAL, ALUMINUM

Modification Procedure

1. Remove (item 3) BUW retaining plate, (item 1) polymer stabbing bell, and (item 4) BUW lower guard mount from back-up wrench gripper assembly for modification.

Back-up Wrench Retaining Plate Modification

2. Drill two holes in back-up wrench retaining plate as shown in Figure 2.
3. Paint part after drilling holes in back-up wrench retaining plate.

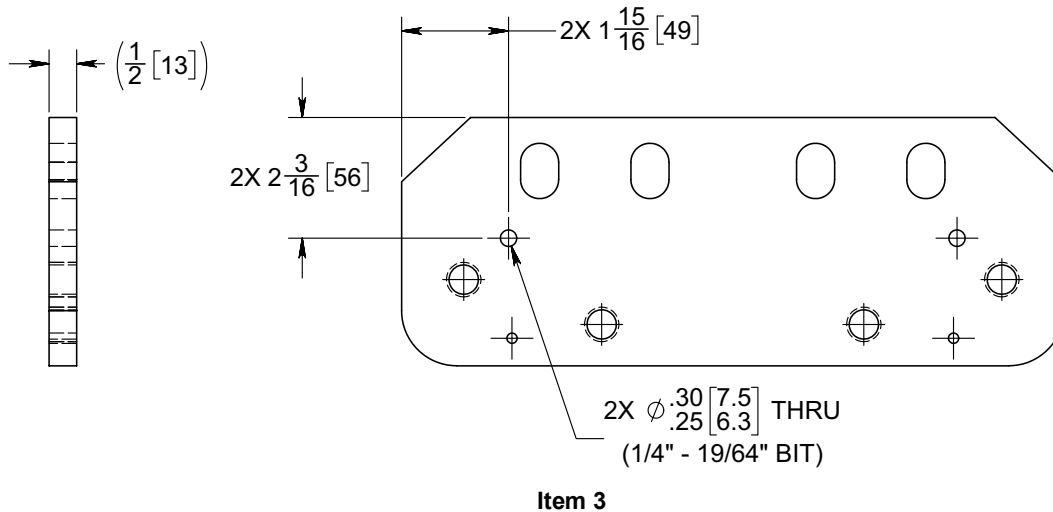
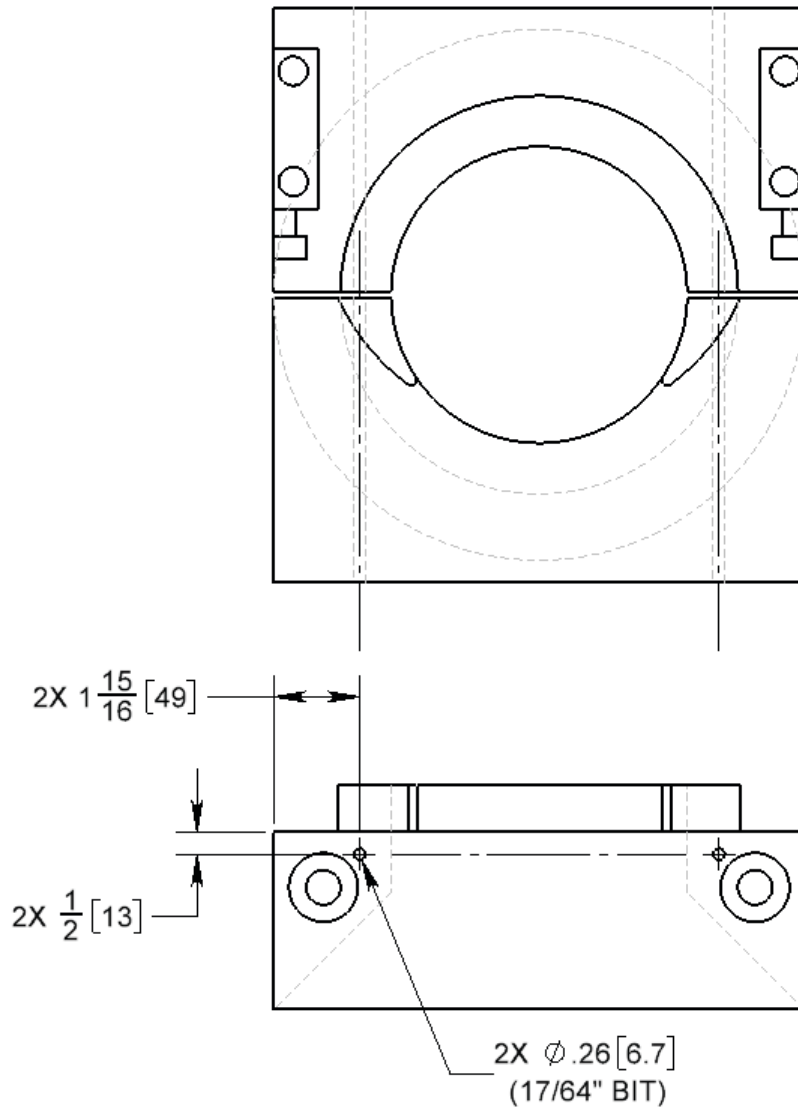


Figure 2: Back-up wrench retaining plate

Polymer Stabbing Bell Modification

4. Drill two holes through both halves of (Item 1) stabbing bell as shown in Figure 3.
5. Ensure reasonable alignment of drill through both halves of (Item 1) stabbing bell.



Item 1

Figure 3: Polymer stabbing bell modification

Lower Guard Mount Modification

6. Weld two half chain links to the (Item 4) lower guard mount as shown in Figure 4.
7. Paint (Item 4) lower guard mount after welding.

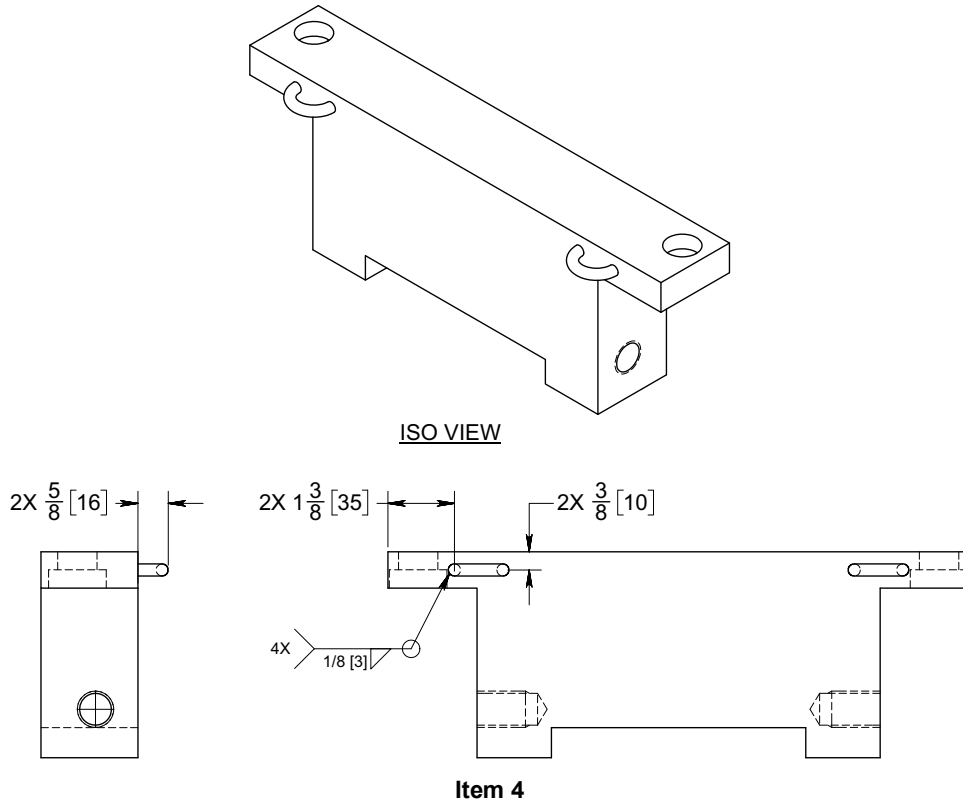


Figure 4: Lower guard mount modification

Polymer Stabbing Bell Safety Securement Installation

8. Insert four of (Item 2) metal tubing in drilled holes in both halves of (Item 1) stabbing bell as shown in Figure 5.
9. Use precaution in ensuring (Item 2) metal tubes do not bend when inserting into holes in (Item 1) stabbing bell. Re-drill holes if (Item 2) metal tubing binds in (Item 1) stabbing bell.
10. Loctite 480 or equivalent can be added to the ends of (item 2) metal tubing if there is a loose fit in (item 1) polymer stabbing bell.

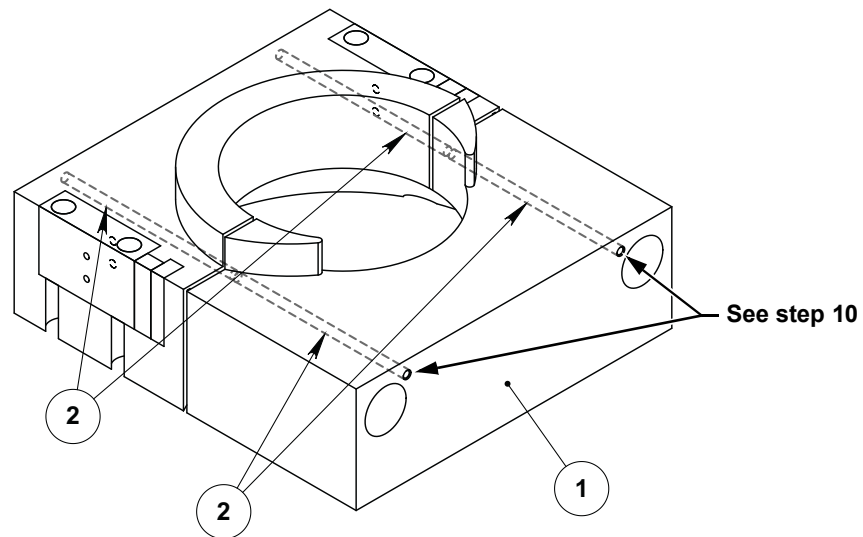


Figure 5: Metal tubing in drilled holes in stabbing bell

11. Re-install (item 1) polymer stabbing bell, (item 3) BUW retaining plate, and (item 4) BUW lower guard mount on back-up wrench gripper.

12. Loop (Item 5) wire rope through (Item 3) BUW retaining plate then through (Item 2) metal tubing pieces in (Item 1) stabbing bell and attach to half chain links on (Item 4) lower guard mount and crimp (Item 6) ferrules as shown in Figure 6.

NOTICE

Ensure stabbing bell can move freely on 1/8" wire rope and does not bind.

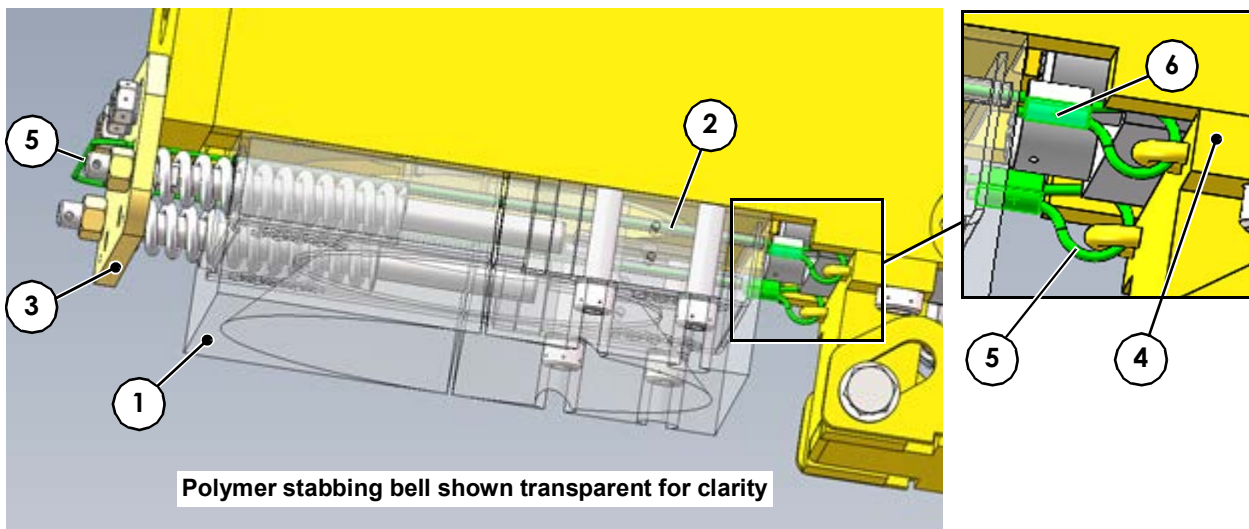


Figure 6: Polymer stabbing bell with safety securement installed